

AMP™ Motorization Technical Specifications

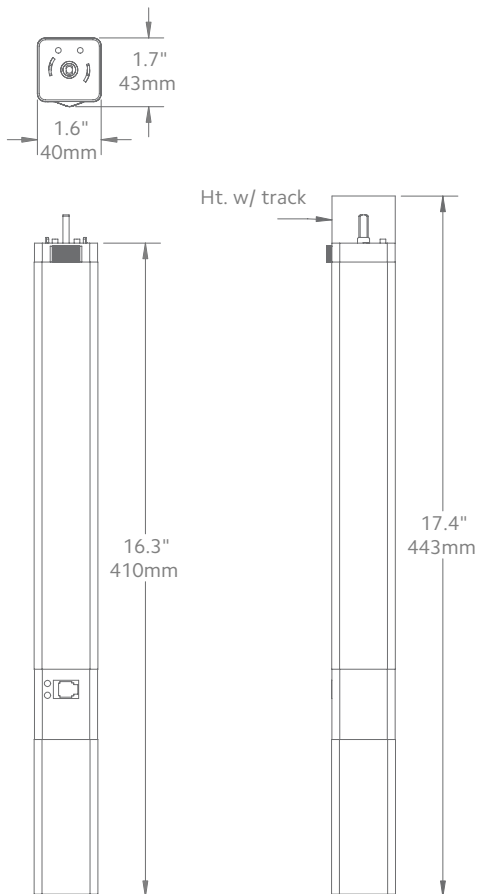
To learn more about our motorization system, review the technical specifications below.

MOTOR UNIT	PRODUCT NO.
AMP™ Drapery Motor	62001300

MOTORIZED TRACK FEATURES	AMP™ MOTOR
POWER SUPPLY	DC 16.5V=0.89A (100-240VAC 50/60Hz 0.5A)
AMPERAGE	2.55Ah
AVERAGE LINEAR SPEED	7.8 inches/sec
POWER CONSUMPTION	40 watts
TORQUE	1.2Nm
POWER CABLE LENGTH	6 feet
VARIABLE SPEED	80, 100 & 120 rpm
CERTIFICATIONS	UL/CE
MAX. TRACK LENGTH	Estate™ - 16ft Architrac® 94001 - 16ft
MAX. LOAD	64 lbs

Follow track specifications for drapery weight.

MOTOR DIMENSIONS



MOTOR UNIT MAIN FEATURES

- Soft start/stop & manual operation
- Automatic limits on end stop
- Intermediate/favorite position

CONTROL OPTIONS

- Dry contact for external control
- RF Remote and Wall Switches
- AMP™ App with AMP™ USB Bridge

INSTALLATION & SETTING FEATURES

- Setting with buttons on motor unit
- Setting with external dry contact switch
- LED indicators

TRACKS/DRAPERY TYPES

- One-way and Two-way Draw
- Pleated
- Ripplefold™