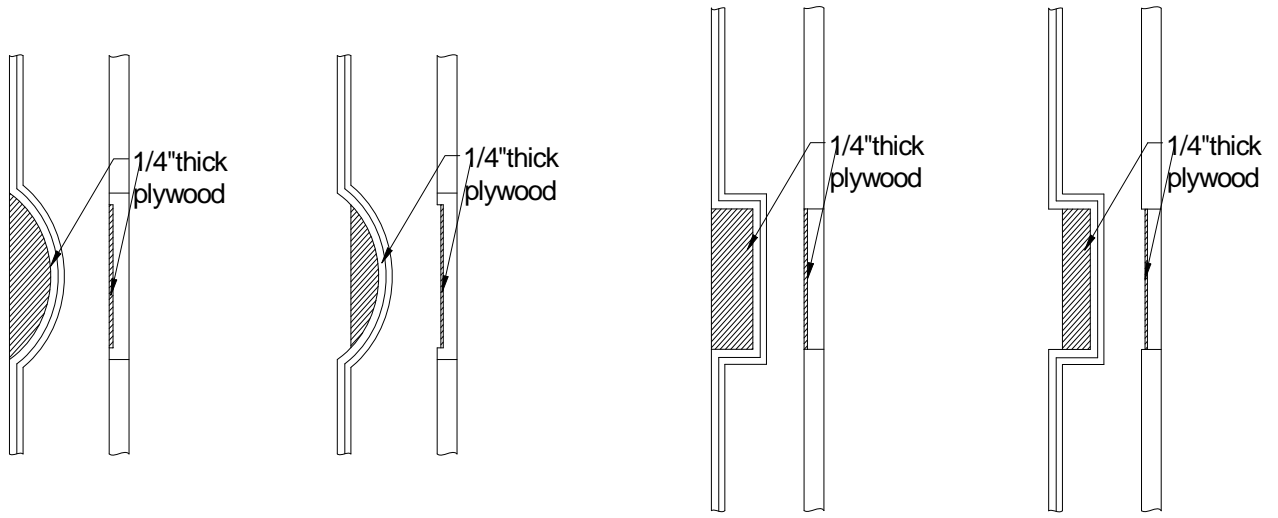


**FRENCH DOOR CUTOUT**



Type A

Type B

Type C

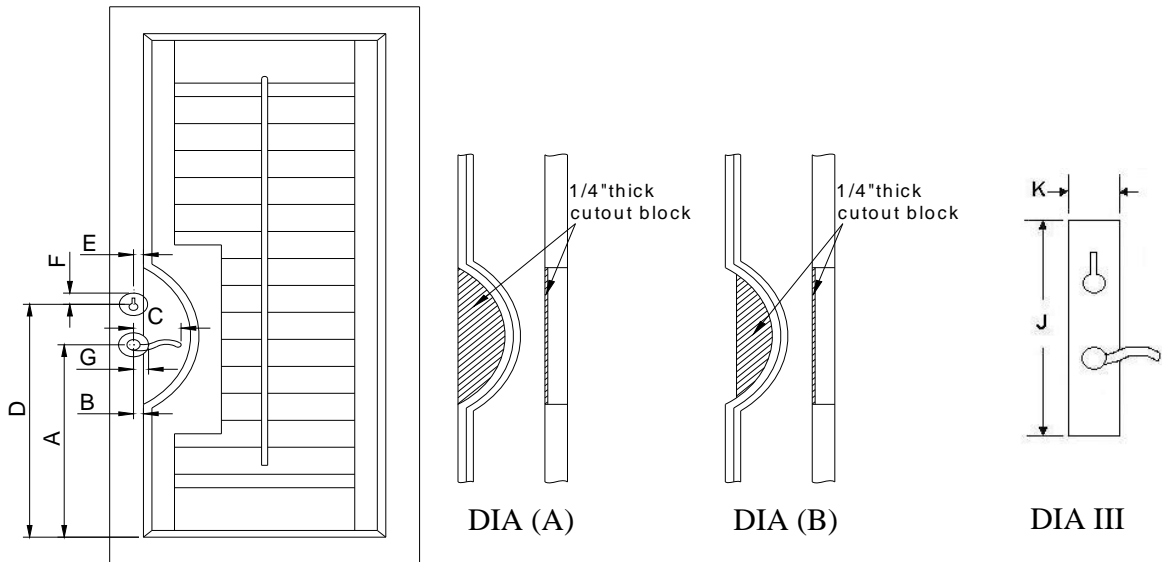
Type D

Note:

- Type A and C cutout are flush with frame
- Type B and D cutout are offset to accommodate French Door with trim around the glass.
- Type E and F (not shown above) are cutouts with batten on the back of the panel.

L frame is preferred for French Door Installation. There will be approximately 1/2" gap between the edge of the handle and cutout for handle or 2" gap between edge of knob and cutout for round knob. If cutout will be over glass area then light can come through cutout area. In this case, back of frame will be routed and 1/4 " thick plywood will be placed in cutout area. Please provide maximum frame-to-frame measurement for shutter size.

**FRENCH DOOR CUTOUT  
TYPE A CURVE FLUSH CUTOUT**



- A. Bottom of L frame to center of handle pivot. \_\_\_\_\_
- B. Edge of L frame to center of handle pivot. \_\_\_\_\_
- C. End of handle to center of handle pivot. \_\_\_\_\_
- D. Bottom of L frame to center of lock. \_\_\_\_\_
- E. Edge of L frame to center of lock. \_\_\_\_\_
- F. Center of Lock to top edge of lock base plate. \_\_\_\_\_
- G. Center of handle pivot to edge of handle base plate. \_\_\_\_\_
- H. Is the handle on left or right side of the door? \_\_\_\_\_
- I. Is frame with cutout-block required? \_\_\_\_\_

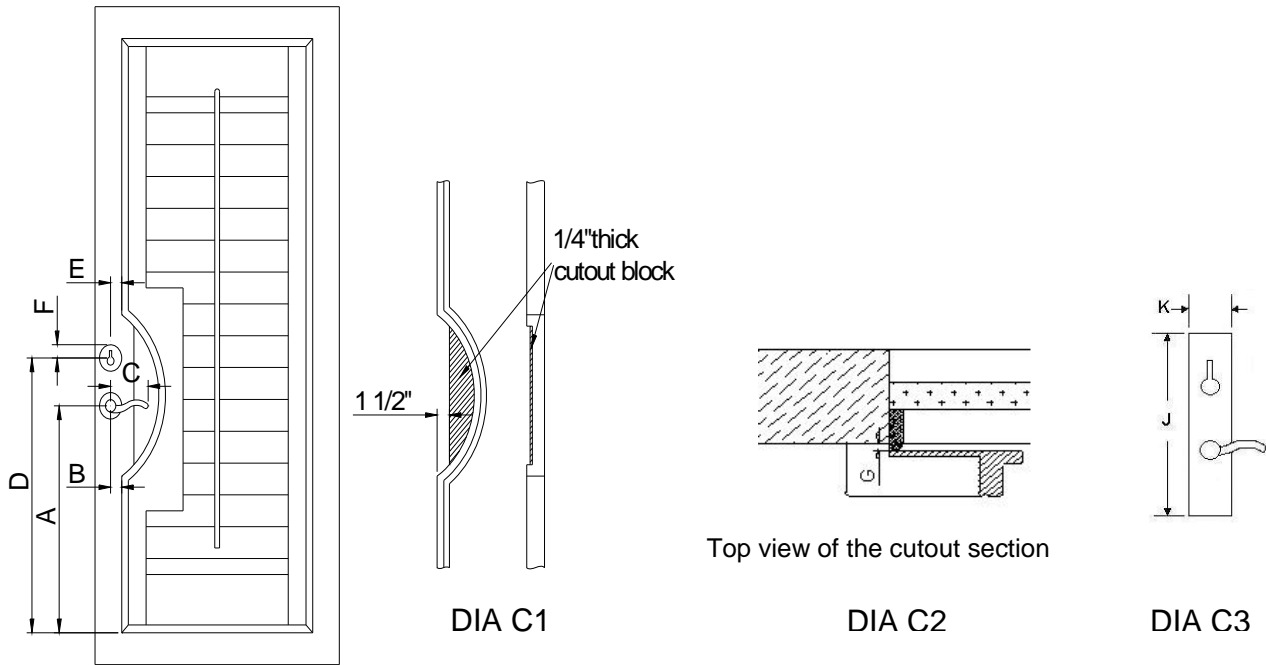
**If the base plate is square (see DIA III), then please provide following information:**

- J. Square base plate height. \_\_\_\_\_
- K. Square base plate width. \_\_\_\_\_

\* If your French door does not have a lock, please write "N/A" on D, E, and F.

\* Cutout-block piece will be made according to DIA II if handle or lock base plate can hit cutout-block piece, otherwise cutout block piece will be made according to DIA I

**FRENCH DOOR CUTOUT  
TYPE B CURVE OFFSET CUTOUT**



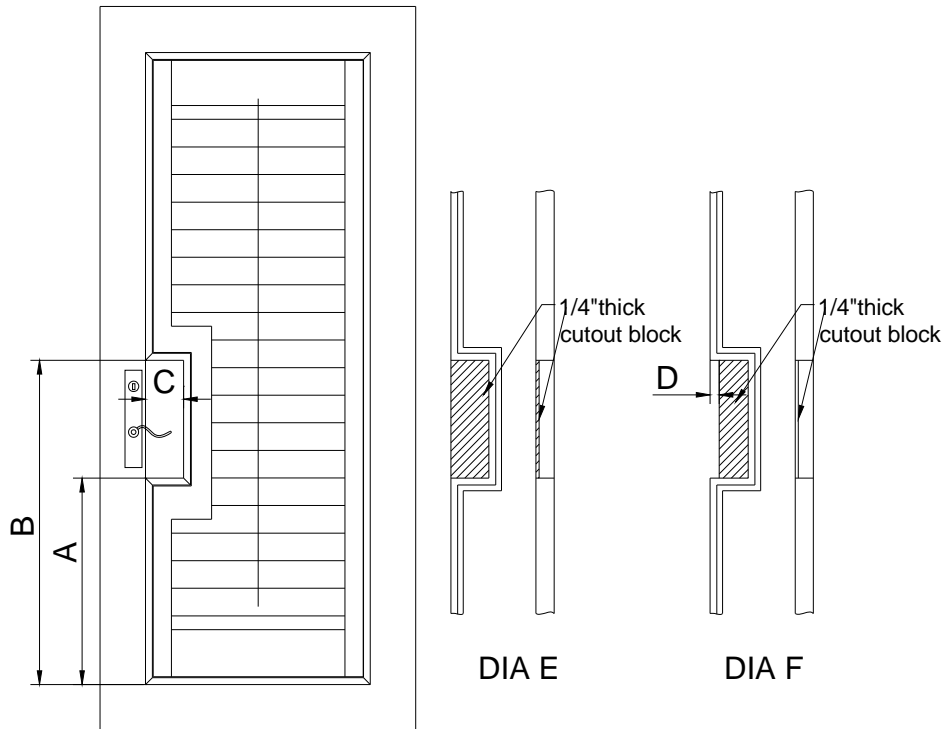
- A. Bottom of L frame to center of handle pivot. \_\_\_\_\_
- B. Edge of L frame to center of handle pivot. \_\_\_\_\_
- C. End of handle to center of handle pivot. \_\_\_\_\_
- D. Bottom of L frame to center of lock. \_\_\_\_\_
- E. Edge of L frame to center of lock. \_\_\_\_\_
- F. Center of Lock to top edge of lock base plate. \_\_\_\_\_
- G. Projection of trim. \_\_\_\_\_
- H. Is handle on left or right side of the door? \_\_\_\_\_
- I. Is frame with cutout-blocked required? \_\_\_\_\_

**If the base plate is square (see DIA C3), then please provide following information:**

- J. Square base plate height. \_\_\_\_\_
- K. Square base plate width. \_\_\_\_\_

Cutout-block piece will not go up to outside edge of L frame. It will go up to inside edge of L frame only. (DIA C1)

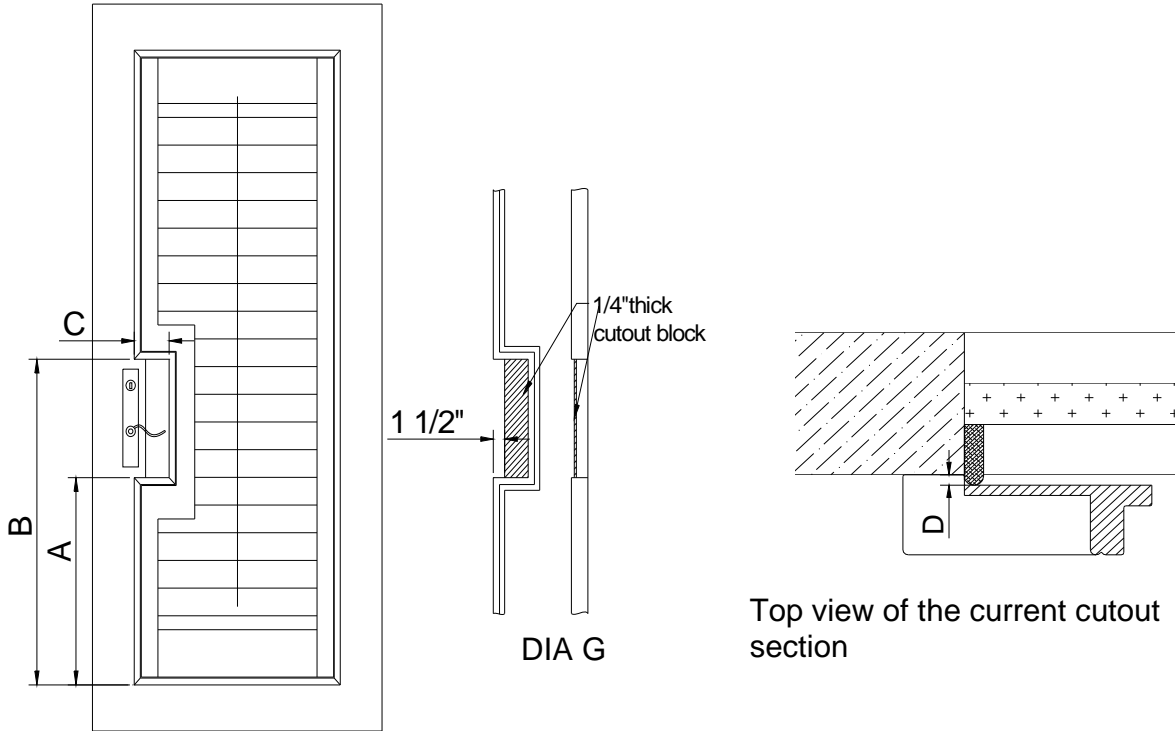
**FRENCH DOOR CUTOUT  
TYPE C RECTANGULAR FLUSH CUTOUT**



- A. Bottom of L frame to bottom edge of cutout . \_\_\_\_\_
- B. Bottom of L frame to top edge of cutout . \_\_\_\_\_
- C. Depth of cutout . \_\_\_\_\_
- D. Outside edge of L frame to edge of cutout-block. \_\_\_\_\_
- E. Is the handle on left or right side of the door? \_\_\_\_\_
- F. Is frame with cutout-block required? \_\_\_\_\_

- If cutout-block piece will not hit handle base plate, the value of D should be zero. (DIA E)
- If cutout-block piece might hit the handle base plate, please provide measurement D. (DIA F)

**FRENCH DOOR CUTOUT  
TYPE D RECTANGULAR OFFSET CUTOUT**



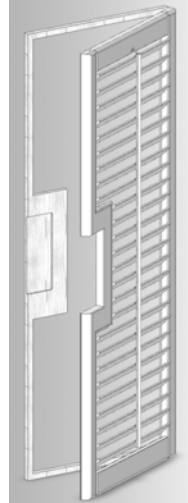
- A. Bottom of L frame to bottom edge of cutout . \_\_\_\_\_
- B. Bottom of L frame to top edge of cutout . \_\_\_\_\_
- C. Depth of cutout . \_\_\_\_\_
- D. Projection of trim. \_\_\_\_\_
- E. Is the handle on left or right side of the door? \_\_\_\_\_
- F. Is frame with cutout-block required? \_\_\_\_\_

- Cutout piece extends up to the inside edge of L Frame only (DIA G).

**FRENCH DOOR CUTOUT  
TYPE E & F**



Type E



Type F

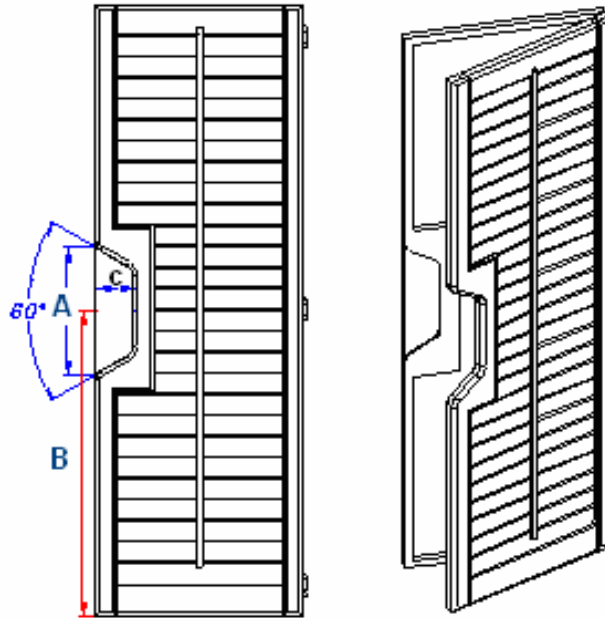
- Type E\*: Shutter with 60° flush cutout. Panel sits on batten.
- Type F\*: Shutter with rectangular cutout. Panel sits on batten.
- Both Type E and F come with Bullnose edges around stiles and rails.

Batten thickness:

Louver size	Batten Width	Batten thickness
1 7/8" & 2 1/2"	3/4"	1"
3 1/2"	3/4"	1 3/8"
4 1/2"	3/4"	1 7/8"

- Additional 20% surcharge for both Type E and F on top of regular French Door Cutout surcharge.
- For matching panels without cutout, please specify "Match French Door Cutout Type E / F" in the special instruction. 20% surcharge applies.

**FRENCH DOOR  
TYPE E**



Max frame to frame measurement only

Batten thickness:

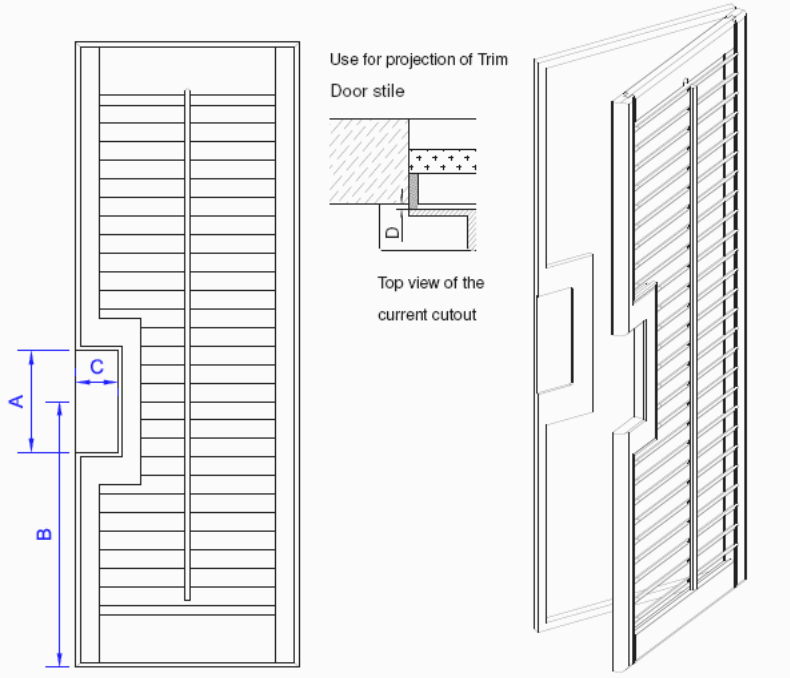
Louver size	Batten Width	Batten thickness
1 7/8" & 2 1/2"	3/4"	1"
3 1/2"	3/4"	1 3/8"
4 1/2"	3/4"	1 7/8"

Type E: height (A) and depth (C) of cutout

A	C
8 1/2"	2 1/2"
9 1/2"	3 1/2"
11"	4 1/2"
12"	3 1/2"
13 1/2"	4 1/2"

- A = Height of Rectangular flush cutout \_\_\_\_\_
- B = Bottom of panel to center of cutout \_\_\_\_\_
- C = Depth of cutout \_\_\_\_\_
- D = Projection of trim \_\_\_\_\_
- E = Is the handle on the left or right side of the door? \_\_\_\_\_
- F = Batten thickness 3/4" x \_\_\_\_\_

**FRENCH DOOR  
TYPE F**



Max frame to frame measurement only

Batten Size:

Louver size	Batten Width	Batten thickness
1 7/8" & 2 1/2"	3/4"	1"
3 1/2"	3/4"	1 3/8"
4 1/2"	3/4"	1 7/8"

- A = Height of Rectangular flush cutout \_\_\_\_\_
- B = Bottom of panel to center of cutout \_\_\_\_\_
- C = Depth of cutout \_\_\_\_\_
- D = Projection of trim \_\_\_\_\_
- E = Is the handle on the left or right side of the door? \_\_\_\_\_
- F = Batten thickness 3/4" x \_\_\_\_\_