



NATURAL WOVEN SHADES

PANEL TRACK

Effective February 4, 2019

design simplified™

TABLE OF CONTENTS

Product Overview

- Features & Benefits..... 2
- Color Charts 3

Product Specifications

- Product Characteristics 4
- Options and Features..... 4
- Product Specifications & Configurations 5-6

Pricing

- Price Group 17
- Price Group 28
- Price Group 39
- Price Group 410
- Options & Surcharges11

- Measuring and Installation Specifications12

Oversize Common Carrier Delivery

All orders with any quantity of shades or blinds or any continuous valance 96" or more in width are considered oversize. Therefore, a net shipping charge of \$40 per oversized unit will be assessed.

Oversized orders that require expedited shipping will be quoted and charged accordingly.

Please see General Information for additional freight and shipping charge information.

FEATURES & BENEFITS



- Offered in a nice selection of Natural Woven Wood, Select Weave, and Grass Weave styles featuring unique patterns and warm, rich tones
- Optional fixed translucent & room darkening liners provide additional privacy and a neutral outside appearance
- Twill edge-bindings frame the individual panels using a high-quality sewing process, adding a decorative finishing touch, and also providing additional panel structure and support
- Coordinated wood wand complements the natural look and provides convenient operation.
- Offers an excellent configuration to cover sliding glass doors and extra wide windows
- Available in side stack, split stack and free-floating panel configurations along with optional valances
- Limited Lifetime Warranty ensures your customers' satisfaction

COLOR CHARTS

WOVEN WOOD COLOR CHART

COLLECTION	COLOR #	COLOR NAME	TWILL EDGE-BINDING COLOR NAME	TWILL EDGE-BINDING* COLOR #
------------	---------	------------	-------------------------------------	-----------------------------------

Price Group 1 Panel Track

ELI	2104	Nagoya Harvest	Mocha	417 & 817
TER	2011	Sonora Desert	Mocha	417 & 418

Price Group 2 Panel Track

EXO	2052	Serengeti Sunrise	Mocha	417 & 817
EXO	2053	Serengeti Cocoa	Chocolate	418 & 818
CUL	2072	Hunan	Mocha	417 & 817
EXO	2150	Sumatra Surprise	Desert	412 & 812
EXO	2232	Taos	Steel	421 & 821

Price Group 3 Panel Track

EXO	2054	Indo Chic	Black	424 & 824
EXO	2068	Kiribati Jungle	Mocha	417 & 817
EXO	2069	Kiribati Rainforest	Chocolate	418 & 818

Price Group 4 Panel Track

CUL	2070	Tobago	Mocha	417 & 817
CUL	2085	Antiqua Maze	Desert	412 & 812
CUL	2086	Antiqua Surf	Jute	409 & 809
EXO	2096	Zulu	Espresso	419 & 819
ELI	2153	Sakura Etude	Espresso	419 & 819

Standard 5/8" twill edge-bindings are represented by the 4xx numbers.
Optional 1-1/2" twill edge-bindings are represented by the 8xx numbers.

** Note: Twill edge-binding colors White, Duck, Latte, and Silver are not available in 1-1/2" widths.

IMPORTANT NOTE ABOUT NATURAL WOVEN MATERIALS:

Our Woven Wood shades are uniquely constructed from natural bamboo, reeds, jutes, rattan, grasses and woods. Many materials, such as natural grasses, are hand tied and braided with expert care. Each woven wood shade is one of a kind. Slight cracks, wood imperfections and variations in color are all inherent in natural products and are not considered flaws.

SELECT & GRASS WEAVES COLOR CHART

COLLECTION	COLOR #	COLOR NAME	TWILL EDGE-BINDING COLOR NAME	TWILL EDGE-BINDING* COLOR #
------------	---------	------------	-------------------------------------	-----------------------------------

Price Group 1 Panel Track

GRW	2305	Coban Parchment	White	400**
GRW	2337	Singapore Bisque	Beige	408 & 808
GRW	2338	Singapore Talc	Dusk	405 & 805
GRW	2339	Singapore Cotton	White	400**
GRW	9410	Coban Gray	Silver	420**
GRW	9450	Singapore Gray	Steel	421 & 821
GRW	9474	Celebes Cornsilk	Dusk	405 & 805
GRW	9475	Celebes Seashell	Silver	420**
GRW	9476	Celebes Ivory	Silver	420**

Price Group 2 Panel Track

GRW	2304	Caracas Tortoise	Beige	408 & 808
GRW	2310	Granada Cinnamon	Jute	409 & 809
GRW	2311	Granada Ginger	Duck	403**
GRW	2312	Granada Nutmeg	Camel	410 & 810
GRW	2331	Nassau Pewter	Latte	404**
GRW	2340	St. Lucia Sand	Duck	403**
GRW	2343	St. Lucia Storm	Steel	421 & 821
GRW	2345	Zaire Camel	Duck	403**
GRW	2346	Zaire Earth	Jute	409 & 809
GRW	9420	Granada Bark	Espresso	419 & 819
GRW	9440	Nassau Cocoa	Chocolate	418 & 818

Price Group 3 Panel Track

GRW	2323	Luzon Whisper	White	400**
GRW	2324	Luzon Cornsilk	Duck	403**
GRW	2325	Luzon Greige	Silver	420**
GRW	9400	St. Kitts Dune	Dusk	405 & 805
GRW	9401	St. Kitts Greywood	Silver	420**
GRW	9460	Aruba Summer	White	400**
GRW	9461	Aruba Straw	Duck	403**
GRW	9462	Aruba Sand Dune	Beige	408 & 808
GRW	9463	Aruba Driftwood	Silver	420**
GRW	9464	Aruba Café	Espresso	419 & 819
GRW	9470	Martinique White Wash	White	400**
GRW	9471	Martinique Sea Grass	Duck	403**
GRW	9472	Martinique Surf	Silver	420**
GRW	9473	Martinique Coral	Jute	409 & 809
SLW	2420	Macau	Mocha	417 & 817
SLW	2423	Mali Tan	Duck	403**
SLW	2436	Tai White	White	400**
SLW	2438	Suva	Mocha	417 & 817
SLW	2526	Salvador Driftwood	Steel	421 & 821
SLW	2527	Cancun Light Gray	Duck	403**
SLW	2528	Cancun Off White	Natural	402 & 802
SLW	2529	Cano Cream	Sand	406 & 806
SLW	2530	Madeira Green	Jute	409 & 809
SLW	2531	Rio Gray	Silver	420**

Price Group 4 Panel Track

SLW	2411	Jaipur Natural	Natural	402 & 802
SLW	2417	Lagos	Duck	403**
SLW	2419	Lomaloma	Duck	403**
SLW	2431	Santos Natural	Duck	403**
SLW	2433	Sintra Dust	Duck	403**
SLW	2441	Tunisia	Natural	402 & 802

Standard 5/8" twill edge-bindings are represented by the 4xx numbers.
Optional 1-1/2" twill edge-bindings are represented by the 8xx numbers.

** Note: Twill edge-binding colors White, Duck, Latte, and Silver are not available in 1-1/2" widths.

PRODUCT CHARACTERISTICS

Product Characteristics

- Panels do not hang perfectly flat.
- Panel materials may have (billowing/waviness) effect.
- Pattern matching from panel to panel cannot be guaranteed, although the factory will make every effort to match patterns as close as possible.

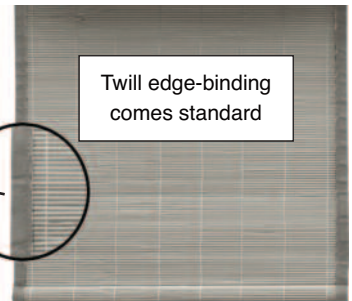
• **NOTE: Material Stretching** – twill edge-bindings come standard to minimize the stretching effect; however you should anticipate that panels may still **stretch up to 1" length**; also, each panel may stretch differently causing panel bottoms to not be perfectly level from panel to panel

OPTIONS AND FEATURES

3-Sided Cotton Twill Edge-Binding

- 5/8" twill edge-binding comes standard.
- Optional 1-1/2" twill edge-binding available at **5%** additional charge.
- On panel sides, twill edge-binding is folded & sewn.
- On panel top, twill edge-binding is attached to front side of panel.
- No twill edge-binding on bottom hem.
- Color-coordinated twill edge-binding by factory, or specify optional tape color.

Natural characteristics of binding results in slight waviness



Attached Translucent and Room-Darkening Liner – 10% Additional Charge

- Provides additional light and privacy control.
- Neutral appearance to the outside.
- Refer to sample book for fixed liner colors.

Family	Color #	Color Name
Translucent	LF-1001	White
Translucent	LF-1002	Ivory
Translucent	LF-1003	Khaki
Room Darkening	RD-3008	Beige-Deluxe
Room Darkening	RD-3009	Taupe-Deluxe
Room Darkening	RD-2001	White
Room Darkening	RD-2002	Ivory
Room Darkening	RD-2003	Khaki
Room Darkening	RD-2004	Brown
Room Darkening	RD-2006	Black

Translucent fixed privacy liners are made of 100% Cotton.

Room-Darkening and Blackout fixed privacy liners are made of 30% Cotton and 70% Polyester.

Panel Attachment

- Heavy-duty Velcro sewn to backside of material.
- Provides easy panel installation & removal from carrier glides.



Bottom Hem

- Weighted enclosed bottom hem.

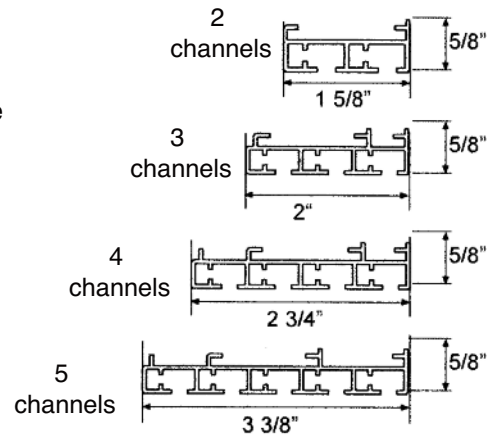


PRODUCT SPECIFICATIONS & CONFIGURATIONS

How To Order

Controls

- Must specify control type with order – cord, wand, free floating (with wands).
- Cord control length is 10" less than ordered length.
- Wand draw is available on all shades; Wood wand sizes: 36"
- Some configurations require dual wands. Lead panel on each side will come with a wand.



Panel Stack Configurations

- Specify panel configuration from choices below.
- Approximately 3" material overlap when panels in fully closed position.
- Each stacking side will have 1 fixed panel.
- Optional **“free-floating”** panels available at **10% Additional Charge**.
- Free-floating panels available on one-way up to 5 panels only.

No split-draw or multi-stack configurations.

Each panel comes with wand.

Panels not interconnected with each other; each panel hand operated independently and can be positioned any place along the track.

Number of Panels	Select Weaves (Overall Width)	Woven Wood & Grass Weaves (Overall Width)	Stack Position / Configurations ("Room View" - Each stacking side will have 1 fixed panel)		
			Single Stack Left Stack	Single Stack Right Stack	Split Stack Note: Come with Dual Wand (if ordered with wand control)
2 Panels (1 overlap)	33" - 89"	21" - 89"	2L – two panels stack left (2 channel track) 	2R – two panels stack right (2 channel track) 	NA
3 Panels (2 overlaps)	48" - 132"	30" - 132"	3L – three panels stack left (3 channel track) 	3R – three panels stack right (3 channel track) 	NA
4 Panels (2 or 3 overlaps depending on number of stacks)	63" - 175"	39" - 175"	4L – four panels stack left (4 channel track) 	4R – four panels stack right (4 channel track) 	2L2R – two panels stack left, two panels stack right (2 channel track)
5 Panels (4 overlaps)	78" - 218"	48" - 218"	5L – five panels stack left (5 channel track) 	5R – five panels stack right (5 channel track) 	NA
6 Panels (5 overlaps)	93" - 261"	57" - 261"	NA	NA	3L3R – three panels stack left, three panels stack right (3 channel track)
8 Panels (7 overlaps)	123" - 261"	75" - 261"	NA	NA	4L4R – four panels stack left, four panels stack right (4 channel track)
10 Panels (9 overlaps)	152" - 261"	93" - 261"	NA	NA	5L5R – five panels stack left, five panels stack right (5 channel track)

PRODUCT SPECIFICATIONS

Panel Track Headrail

- White painted aluminum profile.
- See mounting depth requirements for panel track sizes.

Panel Track Splice

- Automatically comes with any window opening over 144" wide – track ships from factory in (2) equal size pieces.
- Recommended (request when placing order) with window openings over 100" wide to reduce risk of freight damage and to provide easier handling by installers.
- Splice plate easily & securely connects separate tracks together to operate as a single track unit.
- Installers prefer the convenience of handling smaller tracks onto the jobsite, then connecting together at installation.



Panel Size / Stacking Width

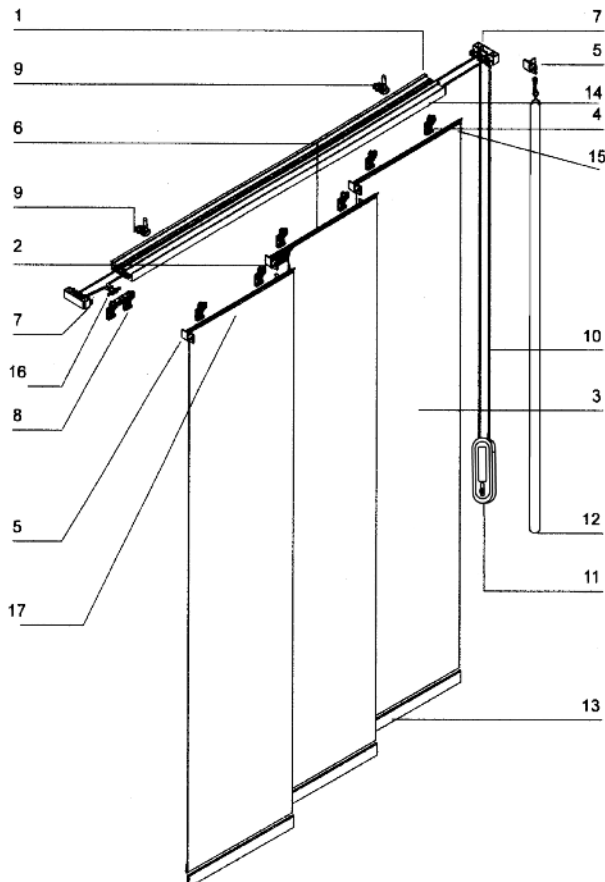
- **18" Minimum Panel Width – Select Weaves**
- **12" Minimum Panel Width – all other styles**
- **46" Maximum Panel Width**
- Individual panel size varies depending on overall shade width & panel configuration.

NOTE: The smaller the panel width, the narrower the stacking space.

To calculate stacking width; overall width + (number of overlaps x 3) then divide by number of panels.

Example # 1 – 3 panel 112" W + 6 (2 overlaps x 3 = 6) = 118 divide by 3 panels = 39-3/8" stacking / panel width

Example # 2 – 4 panel 112" W + 9 (3 overlaps x 3 = 9) = 121 divide by 4 panels = 30-1/4" stacking / panel width



- | | |
|-----------------------------------|----------------------------|
| 1. Aluminum Track | 10. Cord |
| 2. Sliding Panel w/Velcro | 11. Tensioner |
| 3. Woven Material | 12. Control Wand |
| 4. Support w/Needle | 13. Flat Weight |
| 5. Double L Bracket Angle | 14. Panel Stop Screw |
| 6. L-Bracket Angle | 15. End Cap |
| 7. Channel Guide | 16. Brass Cord Locking Nut |
| 8. Double Support (front or Back) | 17. Velcro Velour |
| 9. Installation Clip | 18. Splice (not pictured) |

NOTE: Panel Tracks over 144" wide are spliced together at installation.

- ② **ELI**
2104 Nagoya Harvest
- ② **GRW**
9474 Celebes Cornsilk
9476 Celebes Ivory
9475 Celebes Seashell
9410 Coban Gray
2305 Coban Parchment
2337 Singapore Bisque
2339 Singapore Cotton
9450 Singapore Gray
2338 Singapore Talc
- ② **TER**
2011 Sonora Desert

Price Group 1

2 PANEL ② min width = 21"

WIDTH TO:	36"	48"	60"	72"	84"	89"
HEIGHT TO:						
36"	\$457	523	593	687	755	780
48"	509	584	668	772	844	885
60"	566	645	739	866	947	983
72"	620	720	827	961	1058	1108
84"	664	771	885	1028	1125	1180
96"	695	817	932	1095	1201	1257
108"	738	859	992	1159	1277	1335
Track	292	320	354	405	433	447

3 PANEL ② min width = 30"

WIDTH TO:	36"	48"	60"	72"	84"	96"	108"	120"	132"
HEIGHT TO:									
36"	\$561	626	697	794	866	930	1006	1109	1175
48"	616	693	777	888	971	1058	1128	1237	1322
60"	673	764	859	980	1082	1162	1253	1383	1485
72"	738	838	941	1077	1193	1292	1394	1537	1657
84"	780	896	1008	1154	1284	1394	1504	1661	1751
96"	821	952	1071	1213	1352	1471	1606	1742	1888
108"	859	992	1115	1281	1418	1561	1688	1856	1996
Track	370	399	433	489	525	554	588	649	681

4 PANEL ② min width = 39"

WIDTH TO:	48"	60"	72"	84"	96"	108"	120"	132"	144"	156"	168"	175"
HEIGHT TO:												
36"	\$720	788	895	973	1049	1114	1228	1302	1369	1484	1550	1584
48"	794	877	998	1082	1159	1245	1378	1461	1533	1661	1723	1782
60"	870	961	1103	1191	1289	1378	1513	1627	1707	1825	1932	1974
72"	947	1058	1202	1314	1426	1531	1667	1790	1902	2032	2130	2200
84"	1010	1115	1280	1397	1500	1633	1805	1917	2036	2177	2307	2355
96"	1062	1184	1348	1472	1601	1727	1895	2034	2164	2315	2451	2505
108"	1113	1253	1424	1557	1702	1843	2004	2152	2287	2448	2592	2647
Track	\$473	510	568	604	636	673	743	771	809	872	906	918

PANEL ONLY ② min width = 12" max width = 46"

WIDTH TO:	12"	24"	30"	36"	46"
HEIGHT TO:					
36"	\$144	186	214	242	283
48"	162	212	245	280	326
60"	180	240	280	317	372
72"	196	269	314	357	418
84"	210	291	343	391	460
96"	226	315	366	419	498
108"	238	334	393	450	532

5 - 10 PANEL ② 5 Panel min width = 48" ② 6 Panel min width = 57" ② 8 Panel min width = 75" ② 10 Panel min width = 93"

WIDTH TO:	72"	84"	96"	108"	120"	132"	144"	156"	168"	180"	192"	204"	216"	228"	240"	252"	261"
HEIGHT TO:																	
36"	\$918	993	1062	1142	1244	1302	1378	1484	1550	1629	1708	1806	1867	1947	2044	2127	2180
48"	1012	1094	1171	1260	1360	1444	1533	1642	1723	1808	1897	2004	2074	2157	2265	2362	2420
60"	1100	1191	1289	1378	1496	1607	1705	1825	1913	2009	2107	2228	2302	2402	2521	2627	2690
72"	1202	1314	1426	1531	1647	1770	1876	2010	2107	2210	2317	2454	2567	2647	2777	2893	2963
84"	1276	1382	1500	1612	1762	1871	1986	2130	2256	2366	2488	2631	2720	2835	2975	3099	3174
96"	1330	1457	1582	1708	1849	1986	2111	2264	2371	2518	2614	2766	2891	3012	3163	3292	3373
108"	1397	1540	1665	1797	1955	2075	2233	2394	2505	2661	2762	2924	3059	3180	3342	3477	3565
Track	\$657	697	735	775	847	881	932	988	1031	1081	1111	1184	1224	1253	1320	1360	1397

Separate Valance

WIDTH TO:	36"	48"	60"	72"	84"	96"	108"	120"	132"	144"
Inside 6" Valance	\$88	108	167	192	226	264	287	319	366	389
Outside 6" Valance	113	138	199	226	263	299	329	361	410	434
Each Additional 3" Height	16	21	27	30	34	37	40	43	47	47
Add Valance Liner	31	43	56	68	80	93	101	110	126	132

// Natural Woven Panel Track



② **CUL**
2072 Hunan

② **EXO**
2052 Serengeti Sunrise
2053 Serengeti Cocoa
2150 Sumatra Surprise
2232 Taos

② **GRW**
2304 Caracas Tortoise
2310 Granada Cinnamon
2311 Granada Ginger
2312 Granada Nutmeg
9420 Granada Bark
2331 Nassau Bark
9440 Nassau Cocoa
2340 St. Lucia Sand
2343 St. Lucia Storm
2345 Zaire Camel
2346 Zaire Earth

NOTE: Select Weave fabrics maximum height is 96". Panel Tracks over 144" wide are spliced together at installation.

Price Group 2

2 PANEL ② min width = 21"

WIDTH TO:	36"	48"	60"	72"	84"	89"
HEIGHT TO:						
36"	\$485	557	634	731	809	844
48"	542	626	721	840	930	962
60"	604	702	816	945	1048	1097
72"	674	792	911	1060	1180	1233
84"	721	855	976	1145	1275	1331
96"	764	904	1045	1219	1370	1429
108"	811	958	1117	1309	1463	1524
Track	292	320	354	405	433	447

3 PANEL ② min width = 30"

WIDTH TO:	36"	48"	60"	72"	84"	96"	108"	120"	132"
HEIGHT TO:									
36"	\$584	665	744	844	927	1004	1081	1184	1254
48"	649	746	838	955	1048	1149	1234	1350	1441
60"	721	826	928	1076	1180	1291	1386	1526	1619
72"	797	918	1035	1184	1315	1435	1555	1712	1820
84"	854	985	1106	1280	1429	1550	1694	1847	1972
96"	899	1034	1187	1363	1504	1671	1810	1983	2127
108"	938	1097	1256	1452	1603	1776	1926	2115	2273
Track	370	399	433	489	525	554	588	649	681

4 PANEL ② min width = 39"

WIDTH TO:	48"	60"	72"	84"	96"	108"	120"	132"	144"	156"	168"	175"
HEIGHT TO:												
36"	\$759	838	942	1024	1103	1192	1309	1389	1475	1592	1670	1705
48"	847	942	1062	1164	1247	1343	1487	1578	1672	1784	1890	1929
60"	937	1040	1182	1302	1411	1501	1668	1773	1880	2024	2121	2186
72"	1031	1155	1314	1435	1560	1689	1857	1971	2094	2270	2382	2452
84"	1100	1234	1403	1550	1693	1823	2012	2134	2266	2460	2580	2656
96"	1156	1310	1491	1630	1792	1953	2140	2294	2434	2615	2744	2854
108"	1226	1386	1572	1738	1908	2083	2289	2428	2603	2796	2935	3054
Track	\$473	510	568	604	636	673	743	771	809	872	906	918

② min width = 12"
max width = 46"

PANEL ONLY

WIDTH TO:	12"	24"	30"	36"	46"
HEIGHT TO:					
36"	\$150	201	233	268	308
48"	172	233	269	310	362
60"	190	265	310	357	419
72"	213	301	349	400	474
84"	230	326	386	441	525
96"	245	354	414	480	571
108"	261	381	449	520	614

5 - 10 PANEL 5 Panel ② min width = 48"
8 Panel ② min width = 75"

6 Panel ② min width = 57"
10 Panel ② min width = 93"

WIDTH TO:	72"	84"	96"	108"	120"	132"	144"	156"	168"	180"	192"	204"	216"	228"	240"	252"	261"
HEIGHT TO:																	
36"	\$965	1043	1125	1207	1309	1389	1470	1592	1670	1753	1837	1943	2016	2106	2106	2492	2572
48"	1068	1164	1258	1359	1471	1560	1666	1784	1870	1965	2061	2181	2260	2362	2362	2851	2895
60"	1184	1302	1397	1501	1650	1753	1853	1982	2100	2205	2315	2448	2538	2656	2656	3189	3253
72"	1308	1422	1542	1670	1818	1929	2061	2205	2335	2451	2572	2721	2850	2961	2961	3559	3666
84"	1394	1535	1658	1783	1947	2065	2213	2363	2503	2627	2754	2918	3059	3208	3208	3854	3970
96"	1466	1614	1756	1908	2070	2198	2378	2538	2688	2826	2965	3141	3253	3413	3413	4103	4229
108"	1556	1705	1870	2013	2189	2349	2516	2686	2849	2988	3141	3323	3482	3648	3648	4390	4525
Track	\$657	697	735	775	847	881	932	988	1031	1081	1111	1184	1224	1253	1320	1360	1397


Separate Valance

WIDTH TO:	36"	48"	60"	72"	84"	96"	108"	120"	132"	144"
Inside 6" Valance	\$88	108	167	192	226	264	287	319	366	389
Outside 6" Valance	113	138	199	226	263	299	329	361	410	434
Each Additional 3" Height	16	21	27	30	34	37	40	43	47	47
Add Valance Liner	31	43	56	68	80	93	101	110	126	132


- ② **EXO**
2054 Indo Chic
2068 Kiribati Jungle
2069 Kiribati Rainforest
- ② **GRW**
2323 Luzon Whisper
2324 Luzon Cornsilk
2325 Luzon Greige
9400 St. Kitts Dune
9401 St. Kitts Greywood
9460 Aruba Summer
9461 Aruba Straw
9462 Aruba Sand Dune
9463 Aruba Driftwood
9464 Aruba Cafe
9470 Martinique White Wash
9471 Martinique Sea Grass
9472 Martinique Surf
9473 Martinique Coral
- ① **SLW**
2527 Cancun Light Gray
2528 Cancun Off White
2529 Cano Cream
2420 Macau
2530 Madeira Green
2423 Mali Tan
2531 Rio Gray
2526 Salvador Driftwood
2438 Suva
2436 Tai White

NOTE: Select Weave fabrics maximum height is 96". Panel Tracks over 144" wide are spliced together at installation.


Price Group 3

2 PANEL ① min width = 33"
② min width = 21" 

WIDTH TO:	36"	48"	60"	72"	84"	89"
HEIGHT TO:						
36"	\$489	570	654	762	835	868
48"	554	653	747	879	971	1004
60"	626	742	853	998	1097	1156
72"	697	826	961	1117	1245	1296
84"	752	890	1040	1219	1359	1415
96"	805	960	1122	1309	1458	1532
108"	854	1026	1208	1401	1568	1643
Track	292	320	354	405	433	447

3 PANEL ① min width = 48"
② min width = 30" 

WIDTH TO:	36"	48"	60"	72"	84"	96"	108"	120"	132"
HEIGHT TO:									
36"	\$593	672	757	870	955	1036	1113	1225	1314
48"	666	761	857	985	1095	1185	1282	1409	1505
60"	739	853	976	1110	1233	1358	1466	1609	1725
72"	825	956	1087	1245	1383	1524	1642	1819	1935
84"	885	1025	1174	1347	1504	1647	1792	1962	2120
96"	940	1096	1258	1459	1612	1774	1931	2128	2285
108"	992	1160	1342	1551	1714	1889	2075	2270	2442
Track	370	399	433	489	525	554	588	649	681

4 PANEL ① min width = 63"
② min width = 39" 

WIDTH TO:	48"	60"	72"	84"	96"	108"	120"	132"	144"	156"	168"	175"
HEIGHT TO:												
36"	\$765	854	969	1052	1137	1221	1355	1438	1526	1642	1722	1776
48"	866	961	1094	1199	1298	1389	1537	1647	1746	1877	1968	2047
60"	968	1072	1229	1343	1467	1587	1744	1870	1982	2126	2252	2316
72"	1076	1201	1364	1508	1637	1783	1958	2098	2225	2382	2547	2618
84"	1149	1295	1473	1629	1777	1925	2121	2271	2411	2580	2758	2835
96"	1208	1374	1578	1744	1919	2082	2281	2444	2590	2796	2963	3045
108"	1294	1477	1676	1853	2044	2222	2440	2614	2768	2991	3171	3258
Track	\$473	510	568	604	636	673	743	771	809	872	906	918

PANEL ONLY ① min width = 18"
② min width = 12"
max width = 46"

WIDTH TO:	12"	24"	30"	36"	46"
HEIGHT TO:					
36"	\$154	208	245	278	328
48"	176	244	286	326	389
60"	194	282	328	381	449
72"	222	317	372	432	514
84"	237	349	414	474	572
96"	256	381	449	520	630
108"	275	409	483	563	678

5 - 10 PANEL **5 Panel** ① min width = 78" ② min width = 48" **6 Panel** min width = 93" ② min width = 57"
8 Panel ① min width = 123" ② min width = 75" **10 Panel** min width = 152" ② min width = 93"

WIDTH TO:	72"	84"	96"	108"	120"	132"	144"	156"	168"	180"	192"	204"	216"	228"	240"	252"	261"
HEIGHT TO:																	
36"	\$1,013	1101	1193	1278	1386	1471	1568	1693	1776	1865	1954	2069	2128	2231	2357	2437	2492
48"	1139	1247	1335	1437	1572	1684	1774	1916	2008	2110	2213	2354	2460	2529	2697	2760	2851
60"	1263	1396	1496	1622	1779	1890	2013	2146	2273	2386	2505	2653	2784	2902	3025	3155	3253
72"	1422	1537	1667	1801	1978	2098	2256	2426	2571	2698	2831	2970	3116	3259	3392	3559	3666
84"	1504	1661	1811	1944	2121	2271	2448	2604	2758	2921	3064	3218	3380	3533	3676	3854	3970
96"	1597	1760	1919	2104	2281	2444	2605	2796	2963	3143	3297	3463	3635	3801	3956	4144	4271
108"	1705	1870	2044	2222	2440	2614	2786	2991	3171	3356	3529	3703	3889	4063	4229	4434	4569
Track	\$657	697	735	775	847	881	932	988	1031	1081	1111	1184	1224	1253	1320	1360	1397

Separate Valance

WIDTH TO:	36"	48"	60"	72"	84"	96"	108"	120"	132"	144"
Inside 6" Valance	\$88	108	167	192	226	264	287	319	366	389
Outside 6" Valance	113	138	199	226	263	299	329	361	410	434
Each Additional 3" Height	16	21	27	30	34	37	40	43	47	47
Add Valance Liner	31	43	56	68	80	93	101	110	126	132

NOTE: Select Weave fabrics maximum height is 96". Panel Tracks over 144" wide are spliced together at installation.

- ② **CUL**
2070 Tobago
2085 Antiqua Maze
2086 Antiqua Surf
- ② **ELI**
2153 Sakura Etude
- ② **EXO**
2096 Zulu
- ① **SLW**
2411 Jaipur Natural
2417 Lagos
2419 Lomaloma
2431 Santos Natural
2433 Sintra Dust
2441 Tunisia

Price Group 4

2 PANEL ① min width = 33"
② min width = 21"

WIDTH TO:	36"	48"	60"	72"	84"	89"
HEIGHT TO:						
36"	\$610	712	818	954	1044	1086
48"	692	817	933	1098	1215	1254
60"	782	927	1066	1248	1371	1447
72"	870	1033	1201	1397	1557	1620
84"	940	1113	1300	1525	1699	1769
96"	1006	1200	1403	1637	1822	1916
108"	1067	1283	1510	1751	1960	2055
Track	292	320	354	405	433	447

3 PANEL ① min width = 48"
② min width = 30"

WIDTH TO:	36"	48"	60"	72"	84"	96"	108"	120"	132"
HEIGHT TO:									
36"	\$740	840	947	1088	1193	1295	1392	1532	1642
48"	831	953	1071	1230	1369	1481	1603	1762	1881
60"	925	1066	1220	1387	1541	1698	1832	2011	2157
72"	1032	1194	1359	1557	1728	1904	2052	2274	2420
84"	1107	1281	1467	1683	1880	2060	2240	2453	2650
96"	1176	1370	1574	1824	2014	2217	2415	2659	2856
108"	1241	1451	1676	1939	2142	2361	2594	2837	3053
Track	370	399	433	489	525	554	588	649	681

4 PANEL ① min width = 63"
② min width = 39"

WIDTH TO:	48"	60"	72"	84"	96"	108"	120"	132"	144"	156"	168"	175"
HEIGHT TO:												
36"	\$958	1067	1212	1317	1421	1527	1693	1798	1906	2052	2153	2220
48"	1083	1201	1367	1499	1622	1737	1922	2060	2183	2346	2460	2559
60"	1211	1341	1537	1678	1835	1985	2180	2338	2477	2656	2815	2895
72"	1346	1501	1707	1886	2046	2228	2448	2622	2781	2976	3184	3273
84"	1436	1618	1842	2035	2221	2406	2651	2839	3013	3225	3449	3544
96"	1510	1718	1972	2180	2398	2603	2851	3057	3236	3495	3704	3807
108"	1617	1847	2096	2317	2555	2779	3050	3268	3460	3739	3963	4074
Track	\$473	510	568	604	636	673	743	771	809	872	906	918

PANEL ONLY ① min width = 18"
② min width = 12"
max width = 46"

WIDTH TO:	12"	24"	30"	36"	46"
HEIGHT TO:					
36"	\$192	260	307	347	410
48"	219	306	358	407	487
60"	244	353	410	475	562
72"	278	396	466	540	643
84"	295	437	517	594	716
96"	320	475	562	649	787
108"	343	512	603	703	848

5 - 10 PANEL 5 Panel ① min width = 78" ② min width = 48"
8 Panel ① min width = 123" ② min width = 75" 6 Panel ① min width = 93" ② min width = 57"
10 Panel ① min width = 152" ② min width = 93"

WIDTH TO:	72"	84"	96"	108"	120"	132"	144"	156"	168"	180"	192"	204"	216"	228"	240"	252"	261"
HEIGHT TO:																	
36"	1267	1377	1492	1597	1734	1838	1960	2116	2220	2331	2442	2585	2659	2789	2946	3046	3115
48"	1424	1559	1670	1797	1966	2105	2217	2394	2511	2638	2766	2941	3074	3162	3370	3451	3563
60"	1579	1745	1869	2029	2224	2362	2518	2682	2842	2983	3132	3317	3480	3628	3781	3945	4066
72"	1777	1922	2083	2253	2473	2622	2820	3033	3214	3372	3539	3713	3895	4075	4241	4449	4582
84"	1880	2076	2263	2430	2651	2839	3060	3255	3449	3651	3829	4023	4224	4417	4596	4818	4963
96"	1997	2201	2398	2630	2851	3057	3256	3495	3704	3929	4122	4328	4543	4752	4944	5180	5339
108"	2131	2338	2555	2779	3050	3268	3483	3739	3963	4194	4412	4629	4861	5078	5286	5542	5711
Track	\$657	697	735	775	847	881	932	988	1031	1081	1111	1184	1224	1253	1320	1360	1397

Separate Valance

WIDTH TO:	36"	48"	60"	72"	84"	96"	108"	120"	132"	144"
Inside 6" Valance	\$88	108	167	192	226	264	287	319	366	389
Outside 6" Valance	113	138	199	226	263	299	329	361	410	434
Each Additional 3" Height	16	21	27	30	34	37	40	43	47	47
Add Valance Liner	31	43	56	68	80	93	101	110	126	132

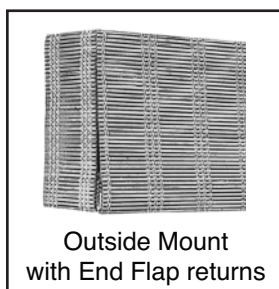
PANEL TRACK OPTIONS

Separate Valance Only

- Minimum width: 12" net
- Maximum width: 144"
- Standard valance height 6" – longer heights available (maximum height 24")



- 3/4" Dust Cover depth.
- Add liner to valance only at extra charge.
- Simple installation; pre-drilled opening in headrail; mount with hex head screws.



- Standard return depth 6".
- Minimum return depth: 5", maximum return depth 7".
- Add liner to valance only at extra charge.
- Simple installation; pre-drilled opening in headrail; mount with L-Bracket attached to a threaded bolt and wing nut.

Separate Valance

WIDTH TO:	36"	48"	60"	72"	84"	96"	108"	120"	132"	144"
Inside 6" Valance	\$88	108	167	192	226	264	287	319	366	389
Outside 6" Valance	113	138	199	226	263	299	329	361	410	434
Each Additional 3" Height	16	21	27	30	34	37	40	43	47	47
Add Valance Liner	31	43	56	68	80	93	101	110	126	132

Additional Surcharges (Add to base price of Panel Track)

LINERS

- Translucent lineradd 10%
- Room-Darkening lineradd 10%

COTTON TWILL EDGE-BINDING

- 5/8" trim come standardno charge
- 1 1/2" trim sizeadd 5%

MEASURING & INSTALLATION SPECIFICATIONS

Panel Track Brackets



(A)

Inside / Ceiling Mount
Used on 2 and 3 channel track
Bracket Clip
(Part #181-CA-00700)



(B)

Inside / Ceiling Mount
Used on 4 and 5 channel track
Bracket Clip
(Part #181-CA-00600)



(C)

Outside / Wall Mount
Used on all tracks
Installation Bracket
(Part #30-CA-06600)

Mounting Depth Requirements

Number Track Channels	IB Mount Flush Mount Depth	IB Mount W/ Valance Flush Mount Depth	IB Mount Minimum Depth	OB Mount Wall Clearance	OB Mount Overall Projection
2	2-1/2"	3-1/2"	1-3/4"	2-1/2" – 3-1/8"	4-1/8" – 4-3/4"
3	2-3/4"	3-3/4"	1-3/4"	2-1/2" – 3-1/8"	4-1/2" – 5-1/4"
4	3-1/2"	4-1/2"	1-3/4"	2-1/2" – 3-1/8"	5-1/4" – 6"
5	3-1/2"	4-1/2"	2"	1-3/4" – 4"	5-1/8" – 7-3/8"

Deductions

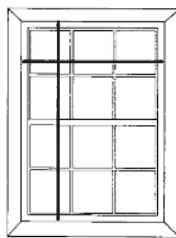
	IB Mount	OB Mount
Headrail Width	- 1/4"	net
Panel Height Allowance	- 1/2"	net
Valance	- 1/8"	+2"

How To Measure

Note: Projection of window handles / cranks could interfere with panel track panels . . . refer to "mounting depth requirements" above for projection clearance

Inside Mount (IB) Installation - Window

To find width: Measure the opening across the top where the headrail is to be installed from inside of jamb on left to inside of jamb on right. **Round the measurement down to the nearest 1/8". Refer to mounting depth requirements.**

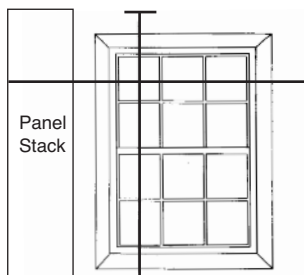


Inside Mount

To find height: Measure from the inside top of the opening on the left, at the center, and on the right to the sill; **round the measurement down to the nearest 1/8" and note the smallest dimension. Do not make any allowances: the factory will make all adjustments so the headrail will fit the opening properly and the panels will clear the sill by 1/2".**

Outside Mount (OB) Installation - Window

To find width: Measure the width of the area to be covered at the place where the headrail will be installed to the nearest 1/8". Blind should overlap opening at least 4" on each side to ensure privacy. To calculate stack dimensions, refer to page 6.



Outside Mount

To find height: Measure the height of the area to be covered and **round down to the nearest 1/8". Blind should extend at least 3" above and 3" below opening or window moulding.**

Valance Brackets



Outside Mount
3" x 3" L-bracket
for 3-1/4" dust cap



Inside Mount
Hex Head Screw
1-1/2" #8

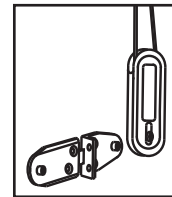


WARNING

Young children can STRANGLE in cord loops. They can also wrap cords around their necks and STRANGLE.

Child Safety Cord Tensioner

Attach the cord tensioner on the cord loop to the wall or window casement. This can prevent children from pulling cord loops around their necks.



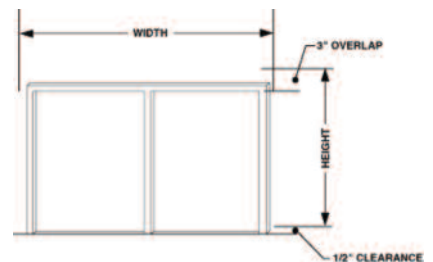
Outside Mount (OB) Installation - Patio Door / Room Divider

To find width: Measure the width of the area to be covered at the place where the headrail will be installed to the nearest 1/8". Blind should overlap opening at least 4" on each side.

To find height: Measure the height of the area to be covered and **round down to the nearest 1/8". Blind should extend at least 3" above opening or window moulding.**

For ceiling-to-floor installations, deduct 1/2" for proper clearance.

Specifying OB measurement means the factory makes no allowances.



Special Measuring & Installation Considerations

Stretching of panel materials is probable:

IB Mount - we do not recommend IB mount due to probable stretching

OB Mount - extra adjustment recommended for placement of mounting brackets above the floor to anticipate panel material stretching:

- Material can stretch up to 1" length