

## // Retail Price List & Product Info Guide



**ALTA**  
WINDOW FASHIONS  
*design simplified*

# DUAL

## SHADES

Pricing effective August 1, 2022 and supersedes all previous pricing.  
Subject to change by Alta Window Fashions.

---

## SUMMARY OF REVISIONS

---

---

# TABLE OF CONTENTS

---

## Product Overview

- Collection Information ..... 3-5
- Color Chart ..... 6

## Pricing Groups

- Pricing Group 1-6 ..... 7-8
- Automation Surcharges and Options ..... 9

## Product Specifications

- Product Specifications ..... 10
- Finished Dimensions ..... 11
- Standard and Retractable Cord Dual Shades Operation ..... 12

**Product Components Guide** – product components pages are now featured in a separate guide for quick reference. [Click here to view or go to \[pricing.altawindowfashions.com/books/uiul\]\(http://pricing.altawindowfashions.com/books/uiul\) in your browser.](#)

### **Oversize Common Carrier Delivery**

All orders with any quantity of shades or blinds or any continuous valance 90" or more in width are considered oversize. Therefore, a net shipping charge per oversized unit will be assessed.

Oversized orders that require expedited shipping will be quoted and charged accordingly.

Please see General Information for additional freight and shipping charge information.

### **INHERENT CHARACTERISTICS OF DUAL SHADES**

Due to the weave and nature of the material, the following are the inherent characteristics and are not considered as defects:

- A moiré effect may occur when the sheer fabric bands are aligned.
- The fabric color appearance may vary based on changing light conditions in the room or light reflection from interior decor.
- The front fabric may appear wavy or bow due to the weave and construction of the fabric.

Static electricity build up on fabrics is a common occurrence in dry environments, especially during colder seasons, and is attributed to many factors such as temperature, humidity levels, home insulation, etc.. To help reduce static on your shades, lightly spray an anti-static product on the fabric or gently wipe the fabric with dryer sheets. Keeping floors clean and dust free will also help reduce static electricity.

## COLLECTION INFORMATION

Maximum widths and heights for continuous cord loop, retractable cord, and battery operated automation noted below.

Pattern Name	Family Code	Band Height	Fabric Composition	Opacity	All Systems <b>except</b> Agile Lift		Price Group
					Maximum Width	Maximum Height	
Avalon	DS53	3"	100% Polyester	Translucent	102"	110"	2
Beaumont	DS3	3"	100% Polyester	Translucent	96"	120"	2
Buena Vista	DS52	3"	100% Polyester	Translucent	102"	92"	3
Cinema	DS4	2-3/4"	85% Polyester / 15% Linen	Translucent	92"	120"	5
Definition	DS6	3"	100% Polyester	Light Dimming	90"	120"	5
Delicate	DS60	3-1/4"	100% Polyester	Translucent	102"	90"	1
Eaton	DS56	3"	100% Polyester	Translucent	92"	90"	5
Elegance	DS59	4"	100% Polyester	Translucent	90"	96"	2
Epicure	DS7	3"	100% Polyester	Translucent	100"	120"	5
Extravagance	DS8	5-1/2"	100% Polyester	Translucent	100"	120"	6
Glorious	DS18	4-3/4"	100% Polyester	Translucent	90"	120"	5
Indulgence	DS62	3"	100% Polyester	Translucent	102"	110"	2
Knollwood	DS55	3"	100% Polyester	Translucent	102"	90"	3
Knollwood Wide	DS66	3-7/8"	100% Polyester	Translucent	102"	90"	3
Lakeside	DS58	3"	100% Polyester	Translucent	90"	90"	5
Lavish	DS50	3-5/8"	100% Polyester	Translucent	102"	106"	2
Luminous	DS61	3-1/4"	100% Polyester	Translucent	96"	90"	1
Luna	DS65	4"	100% Polyester	Light Dimming	102"	96"	4
Luxury	DS10	3"	100% Polyester	Translucent	100"	120"	6
Mid Century	DS51	3-3/4"	100% Polyester	Translucent	102"	110"	2
Obscure	DS13	4"	100% Polyester	Light Dimming	96"	100"	6
Palladian	DS14	3"	100% Polyester	Translucent	100"	120"	6
Pressed	DS57	3-7/8"	100% Polyester	Translucent	102"	90"	4
Riverside	DS54	3-7/8"	100% Polyester	Translucent	102"	106"	5
Serene	DS64	4"	100% Polyester	Light Dimming	102"	96"	4
Strande	DS16	2-3/4"	100% Polyester	Translucent	100"	120"	3
Sublime	DS17	3"	100% Polyester	Translucent	90"	100"	5
Traverse	DS63	4"	100% Polyester	Light Dimming	96"	90"	4

### SIDE-BY-SIDE VANE ALIGNMENT

When Dual Shades are installed side by side, vane alignment can be guaranteed within 3/8" only if:

- Shades are ordered at the same time and are identical style, color and height.
- Shades that need to be aligned are specified on the order form (a note must be included in Special Instructions).

### ORDERING NOTE

- Finished blind height will always be in the full privacy position – with bands offset
- When you align bands to the view through position, the bottom rail will raise slightly off the window sill – the gap between the sill and bottomrail is approximately 1/2 the band width.

## COLLECTION INFORMATION

Maximum widths and heights for cordless operated noted below.

Pattern Name	Family Code	Band Height	Fabric Composition	Opacity	Agile Lift		Price Group
					Maximum Width	Maximum Height	
Avalon	DS53	3"	100% Polyester	Translucent	84"	84"	2
Beaumont	DS3	3"	100% Polyester	Translucent	84"	84"	2
Buena Vista	DS52	3"	100% Polyester	Translucent	84"	84"	3
Cinema	DS4	2-3/4"	85% Polyester / 15% Linen	Translucent	84"	84"	5
Definition	DS6	3"	100% Polyester	Light Dimming	84"	84"	5
Delicate	DS60	3-1/4"	100% Polyester	Translucent	84"	84"	1
Eaton	DS56	3"	100% Polyester	Translucent	84"	84"	5
Elegance	DS59	4"	100% Polyester	Translucent	84"	84"***	2
Epicure	DS7	3"	100% Polyester	Translucent	84"	84"	5
Extravagance	DS8	5-1/2"	100% Polyester	Translucent	84"	84"	6
Glorious	DS18	4-3/4"	100% Polyester	Translucent	84"	84"	5
Indulgence	DS62	3"	100% Polyester	Translucent	84"	84"***	2
Knollwood	DS55	3"	100% Polyester	Translucent	84"	84"***	3
Knollwood Wide	DS66	3-7/8"	100% Polyester	Translucent	84"	84"***	3
Lakeside	DS58	3"	100% Polyester	Translucent	84"	84"	5
Lavish	DS50	3-5/8"	100% Polyester	Translucent	84"	84"	2
Luminous	DS61	3-1/4"	100% Polyester	Translucent	84"	84"	1
Luna	DS65	4"	100% Polyester	Light Dimming	84"	84"***	4
Luxury	DS10	3"	100% Polyester	Translucent	84"	84"	6
Mid Century	DS51	3-3/4"	100% Polyester	Translucent	84"	84"	2
Obscure	DS13	4"	100% Polyester	Light Dimming	84"	84"***	6
Palladian	DS14	3"	100% Polyester	Translucent	84"	84"	6
Pressed	DS57	3-7/8"	100% Polyester	Translucent	84"	84"***	4
Riverside	DS54	3-7/8"	100% Polyester	Translucent	84"	84"	5
Serene	DS64	4"	100% Polyester	Light Dimming	84"	84"***	4
Strande	DS16	2-3/4"	100% Polyester	Translucent	84"	84"	3
Sublime	DS17	3"	100% Polyester	Translucent	84"	84"	5
Traverse	DS63	4"	100% Polyester	Light Dimming	84"	84"***	4

\*\*See height restriction information

Agile Lift Height Restrictions		
Pattern Name	Family Code	
Elegance	DS59	Shades 18" in width has a maximum height of 70"
Indulgence	DS62	Shades 18" in width has a maximum height of 70"
Knollwood	DS55	Shades ≤ 40" in width have a maximum height of 68" Shades 40-1/8" to 42" in width have a maximum height of 70" Shades 42-1/8" to 44" in width have a maximum height of 72" Shades 44-1/8" to 46" in width have a maximum height of 74" Shades 46-1/8" to 48" in width have a maximum height of 78"
Knollwood Wide	DS66	Shades ≤ 48" in width have a maximum height of 68"
Luna	DS65	Shades ≤ 46" in width have a maximum height of 76" Shades 46-1/8" to 48" in width have a maximum height of 78"
Obscure	DS13	Shades ≤ 24" in width have a maximum height of 70" Shades 24-1/8" to 36" in width have a maximum height of 74"
Pressed	DS57	Shades ≤ 28" in width have a maximum height of 76"
Serene	DS64	Shades 18" in width has a maximum height of 70"
Traverse	DS63	Shades ≤ 46" in width have a maximum height of 76" Shades 46-1/8" to 48" in width have a maximum height of 78"

SIDE-BY-SIDE VANE ALIGNMENT
When Dual Shades are installed side by side, vane alignment can be guaranteed within 3/8" only if: <ul style="list-style-type: none"> <li>• Shades are ordered at the same time and are identical style, color and height.</li> <li>• Shades that need to be aligned are specified on the order form (a note must be included in Special Instructions).</li> </ul>

ORDERING NOTE
<ul style="list-style-type: none"> <li>• Finished blind height will always be in the full privacy position – with bands offset</li> <li>• When you align bands to the view through position, the bottom rail will raise slightly off the window sill – the gap between the sill and bottomrail is approximately 1/2 the band width.</li> </ul>





## COLOR CHART

Material Name	Color Name	Color #	Cassette Color
Avalon	Powdered Sugar	DS53-8520	White
	Mixing Bowl	DS53-8521	Silver
	Cookie Sheet	DS53-8522	Silver
	Sugar Cookie	DS53-8523	Vanilla
	Pumpkin Bread	DS53-8524	Dark Brown
	Chocolate Muffin	DS53-8525	Dark Brown
Beaumont	Linen	DS3-2412	Vanilla
	Pewter	DS3-2407	Silver
	Silver	DS3-2416	Silver
	Steel	DS3-2414	Black
	White	DS3-2401	White
Buena Vista	Seashells	DS52-8470	Vanilla
	Tidepools	DS52-8471	Vanilla
	Gray Seas	DS52-8472	Silver
Cinema	Granite	DS4-5125	Silver
	Linen	DS4-5122	Vanilla
Definition	Arctic	DS6-2550	Silver
	Dusk	DS6-2503	Silver
	Fawn	DS6-2501	Vanilla
Delicate	White Linen	DS60-8490	White
	Bone China	DS60-8491	White
	Dainty Lace	DS60-8492	Vanilla
	Classic Silver	DS60-8493	Silver
	Pewter Planter	DS60-8494	Silver
Eaton	Cascading White	DS56-8440	White
	Emerald	DS56-8441	White
	Platinum	DS56-8442	Silver
	Stone	DS56-8443	Silver
Elegance	Simply White	DS59-8480	White
	Sandstone	DS59-8481	Vanilla
	Smoky Blue	DS59-8482	White
	Twilight Gray	DS59-8483	Black
	Cavernous	DS59-8484	Black
Epicure	Opal	DS7-9702	White
	Quartz	DS7-9701	White
	Storm	DS7-9710	Silver
Extravagance	Dove	DS8-2603	Silver
	Horizon	DS8-2606	White
	Quartz	DS8-2601	White
Glorious	Snow	DS18-6210	White
	Malt	DS18-6212	Dark Brown
	Greystone	DS18-6213	Silver
Indulgence	Milk	DS62-8510	White
	Gray Whisper	DS62-8511	Silver
	Saharan Sands	DS62-8512	Vanilla
	Coconut Escape	DS62-8513	Dark Brown
	Rustic Taupe	DS62-8514	Dark Brown
Knollwood	White Wood	DS55-8430	White
	Gray Wood	DS55-8431	Silver
Knollwood Wide	White Wood	DS66-8560	White
	Gray Wood	DS66-8561	Silver

Material Name	Color Name	Color #	Cassette Color
Lakeside	White Stripe	DS58-8460	White
	Quartzite Lake	DS58-8461	Silver
	Tranquil Teal	DS58-8462	White
	Emerald Lake	DS58-8463	Silver
	Obsidian Creek	DS58-8464	Black
	Lavish	Snowfall	DS50-8400
Mountain Snow		DS50-8401	White
Shadow White		DS50-8402	Vanilla
Silverlake		DS50-8403	Silver
Autumn Sky		DS50-8404	Silver
Morning Mist		DS50-8405	White
Luminous	Frost White	DS61-8500	White
	Cloud White	DS61-8501	White
	Dreamy Cotton	DS61-8502	White
	Blue Hue	DS61-8503	White
	Hint of Pink	DS61-8504	White
	Polished Steel	DS61-8505	Silver
Luna	Silver Strand	DS65-8550	Silver
	Pebble	DS65-8551	Black
	Piñon	DS65-8552	Dark Brown
Luxury	Dove	DS10-2803	Silver
	Horizon	DS10-2806	White
	Quartz	DS10-2801	White
Mid Century	Vintage White	DS51-8410	White
	White Sands	DS51-8411	Vanilla
	Sand Dollar	DS51-8412	Vanilla
	Bungalow Taupe	DS51-8413	Dark Brown
	Gray Skies	DS51-8414	Silver
Obscure	Barley	DS13-2907	Vanilla
	Bleach	DS13-2901	White
	Truffle	DS13-2909	Dark Brown
Palladian	Fawn	DS14-0904	Dark Brown
	Glacier	DS14-0901	White
	Ivory	DS14-0902	White
Pressed	Shadow	DS14-0910	Silver
	Autumn Rain	DS57-8450	Silver
	Newport Blues	DS57-8451	Black
Riverside	Midnight Blue	DS57-8452	Black
	Snowcap	DS54-8420	White
	Rain Washed	DS54-8421	White
Serene	Darkness	DS54-8422	Black
	Diamonds	DS64-8540	White
	Satin Pearl	DS64-8541	White
	Silversmith	DS64-8542	Silver
	Gray Noise	DS64-8543	Silver
Strande	Rain Storm	DS64-8544	Black
	Canyon	DS16-3102	Vanilla
	Coconut	DS16-3101	White
Sublime	Java	DS16-3103	Dark Brown
	Ice	DS17-6100	White
	Opal	DS17-6101	Vanilla
	Silver	DS17-6102	Silver
Traverse	Charcoal	DS17-6103	Black
	Silver Dollar	DS63-8530	White
	Dried Mint	DS63-8531	White
	Maple Syrup	DS63-8532	Dark Brown
	Natural Stone	DS63-8533	Silver
	Black Limestone	DS63-8534	Black

**GROUP 1**

• Delicate (102") • Luminous (96")

WIDTH TO:	24"	30"	36"	42"	48"	54"	60"	66"	72"	76"	84"	90"	96"	102"
<b>HEIGHT TO:</b>														
40"	\$348	381	414	450	481	515	549	581	614	639	683	716	751	785
50"	356	391	426	463	499	533	569	604	639	664	712	746	783	818
60"	364	401	438	476	515	552	588	626	663	689	739	776	816	852
70"	370	412	451	492	530	570	609	647	686	716	768	806	847	887
80"	379	420	462	505	546	587	628	669	712	739	795	837	879	920
90"	388	431	474	519	563	607	649	692	735	767	825	868	912	956

**GROUP 2**

• Avalon (102") • Beaumont (96") • Elegance (90") • Indulgence (102") • Lavish (102") • Mid-Century (102")

WIDTH TO:	24"	30"	36"	42"	48"	54"	60"	66"	72"	76"	84"	90"	96"	102"
<b>HEIGHT TO:</b>														
40"	\$400	439	479	520	561	600	640	679	718	747	799	839	881	920
50"	411	453	496	539	581	624	666	709	750	781	837	879	924	965
60"	421	467	511	560	605	648	694	738	784	816	876	922	968	1013
70"	432	480	527	577	625	674	721	769	816	850	913	961	1012	1059
80"	443	493	544	597	646	697	748	798	847	885	951	1001	1055	1105
90"	454	507	561	616	668	722	775	829	881	918	991	1045	1099	1152
100"	465	520	576	634	691	747	802	858	913	953	1028	1085	1142	1198
110"	475	535	592	655	714	771	830	889	947	989	1067	1125	1186	1246
120"	486	549	610	674	734	795	857	917	980	1022	1105	1166	1230	1291

**GROUP 3**

• Buena Vista (102") • Knollwood (102") • Knollwood Wide (102") • Strande (100")

WIDTH TO:	24"	30"	36"	42"	48"	54"	60"	66"	72"	76"	84"	90"	96"	102"
<b>HEIGHT TO:</b>														
40"	\$422	468	514	562	607	652	697	742	789	822	882	928	977	1020
50"	437	487	536	588	638	687	736	787	836	872	938	987	1038	1089
60"	454	507	561	617	671	724	777	832	885	923	994	1048	1103	1157
70"	469	526	583	644	701	759	817	875	932	973	1050	1106	1166	1224
80"	483	546	608	671	733	794	856	916	980	1022	1104	1166	1230	1291
90"	501	567	631	699	766	832	896	961	1027	1072	1161	1226	1294	1360
100"	516	585	656	727	797	865	936	1005	1073	1123	1216	1285	1358	1427
110"	532	607	680	755	829	903	977	1050	1123	1174	1272	1346	1422	1496
120"	547	625	701	783	860	938	1015	1093	1170	1224	1328	1404	1484	1563

OPTIONS: EXTRA CHARGE	
• Retractable Cord .....	add \$88 per shade
• Agile Lift .....	add \$120 per shade

OPTIONS: NO CHARGE – SPECIFY ON ORDER	
• 2 on 1 Headrail (price as two separate shades)	
• Non-wrapped bottomrail option (fabric-wrapped bottomrail standard)	
• Cord loop/metal bead chain length override (See Page 10 for Loop Length Options)	
• Hold-Down Brackets	
• Metal Bead Chain Option <i>(Please note: when metal bead chain option is selected, the tensioner color will coordinate with the Cassette)</i>	

See page 9 for automation surcharges



**GROUP 4**

• Luna - LD (102") • Pressed (102") • Serene - LD (102") • Traverse - LD (96")

WIDTH TO:	24"	30"	36"	42"	48"	54"	60"	66"	72"	76"	84"	90"	96"	102"
<b>HEIGHT TO:</b>														
40"	\$459	510	562	616	667	720	771	824	875	911	981	1032	1087	1139
50"	477	534	590	651	706	764	821	877	934	974	1050	1106	1165	1222
60"	499	560	621	685	748	808	871	933	994	1037	1120	1180	1246	1309
70"	517	583	649	720	787	852	918	986	1053	1100	1188	1256	1324	1391
80"	536	608	680	753	826	897	968	1040	1111	1162	1258	1329	1403	1475
90"	556	633	711	789	865	942	1018	1095	1172	1225	1328	1404	1483	1560
100"	575	657	738	823	905	986	1067	1150	1231	1287	1397	1478	1563	1645

**GROUP 5**

• Cinema (92") • Definition - LD (90") • Eaton (92") • Epicure(100") • Glorious (90") • Lakeside (90") • Riverside (102") • Sublime (90")

WIDTH TO:	24"	30"	36"	42"	48"	54"	60"	66"	72"	76"	84"	90"	96"	102"
<b>HEIGHT TO:</b>														
40"	\$496	556	617	682	742	804	865	927	988	1032	1113	1175	1239	1300
50"	522	589	659	730	798	865	935	1002	1071	1120	1211	1279	1350	1420
60"	550	625	700	779	853	929	1005	1081	1156	1209	1310	1385	1463	1539
70"	576	659	740	827	909	992	1073	1157	1239	1296	1406	1490	1575	1656
80"	604	692	783	875	963	1053	1143	1232	1322	1385	1504	1593	1686	1774
90"	630	728	825	924	1019	1117	1213	1311	1405	1473	1602	1699	1798	1895
100"	658	762	864	971	1074	1178	1282	1386	1490	1560	1699	1802	1910	2013
110"	685	797	907	1020	1130	1241	1352	1463	1575	1650	1798	1908	2022	2132
120"	713	830	948	1068	1185	1304	1422	1539	1656	1738	1895	2013	2133	2250

**GROUP 6**

• Extravagance (100") • Luxury (100") • Obscure - LD (96") • Palladian (100")

WIDTH TO:	24"	30"	36"	42"	48"	54"	60"	66"	72"	76"	84"	90"	96"	102"
<b>HEIGHT TO:</b>														
40"	\$538	610	681	755	827	898	969	1040	1110	1161	1257	1328	1401	1473
50"	573	653	733	816	896	977	1056	1136	1216	1274	1381	1460	1543	1622
60"	609	697	787	878	967	1056	1145	1234	1323	1386	1505	1594	1686	1774
70"	642	739	838	940	1037	1135	1233	1331	1429	1497	1628	1726	1827	1924
80"	676	784	890	999	1106	1213	1320	1428	1535	1609	1752	1859	1968	2075
90"	712	827	943	1062	1177	1293	1409	1526	1642	1721	1876	1991	2111	2226
100"	746	871	995	1122	1248	1372	1497	1621	1747	1832	1999	2125	2252	2376
110"	780	913	1049	1183	1318	1453	1586	1720	1853	1946	2125	2257	2395	2529
120"	815	957	1100	1246	1388	1531	1674	1816	1959	2058	2248	2391	2536	2679

**OPTIONS: EXTRA CHARGE**

- Retractable Cord ..... add \$88 per shade
- Agile Lift ..... add \$120 per shade

**OPTIONS: NO CHARGE – SPECIFY ON ORDER**

- 2 on 1 Headrail (price as two separate shades)
- Non-wrapped bottomrail option (fabric-wrapped bottomrail standard)
- Cord loop/metal bead chain length override (See Page 10 for Loop Length Options)
- Hold-Down Brackets
- Metal Bead Chain Option (*Please note: when metal bead chain option is selected, the tensioner color will coordinate with the Cassette*)

See page 9 for automation surcharges

The Automation cost factor is different from blinds/shades. If you need to access your cost factor, refer to page 4 in the General Information Guide.

**BLISS AUTOMATION OPTIONS: EXTRA CHARGE – SPECIFY ON ORDER**  
 USE APPROPRIATE DUAL SHADE GRID FOR SHADE PRICE, THEN ADD EXTRA CHARGE(S) BELOW.

• BLISS 1.1 (Internal Li-Ion Battery).....	Part #62004000.....	add \$300 per shade
• BLISS Sleek (External Battery) - includes 1 external battery.....	Part #62004100.....	add \$300 per shade
• 15 Channel Remote.....	Part #62101C00.....	add \$50 each
• 15 Channel Wall Switch.....	Part #62109C00.....	add \$50 each
• 8" Charger Extension (Battery to Charger).....	Part #62206700.....	add \$6 each
• 48" Charger Extension (Battery to Charger).....	Part #62206800.....	add \$10 each
• Plug In Charger Kit.....	Part #1027720.....	add \$30 each
• Magnetic Charging Kit (2 foot cord & 1 Magnetic tip).....	Part #1026665.....	add \$40 each
• Additional Magnetic Tips (if needed).....	Part #62206200.....	add \$6 each
• Additional Li-ion External Battery Pack.....	Part #62203000.....	add \$90 each
• Solar Panel.....	Part #62201000.....	add \$120 each
• Bliss™ Bridge.....	Part #1026654.....	add \$100 each
• Bliss™ Bridge Charging Block.....	Part #62200000.....	add \$10 each

**SOMFY AUTOMATION OPTIONS: EXTRA CHARGE – SPECIFY ON ORDER** (Must select Somfy power source\* when ordering)  
 USE APPROPRIATE DUAL SHADE GRID FOR SHADE PRICE, THEN ADD SOMFY EXTRA CHARGE(S) BELOW.

• Sonesse® 28 WireFree™ RTS Li-Ion (internal battery).....	Part #1026825.....	add \$360 per shade
• Sonesse® 28 WireFree™ RTS External Battery.....	Part #1026826.....	add \$260 per shade
• Roll Up 28 WireFree™ RTS.....	Part #1240292.....	add \$310 per shade
• Situo® 1 RTS.....	Part #1019536.....	add \$60 each
• Situo® 5 RTS.....	Part #1019537.....	add \$84 each
• Situo® 5 Variation.....	Part #1021802.....	add \$140 each
• Telis 1 Chronis Remote.....	Part #1805237A.....	add \$330 each
• Telis 16 Remote.....	Part #1811081.....	add \$300 each
• Decoflex WireFree™ RTS - 1 Channel.....	Part #1810897.....	add \$100 each
• Decoflex WireFree™ RTS - 5 Channel.....	Part #1810813.....	add \$100 each
• Smoove® 1 RTS Wall Switch, Pure.....	Part #1811533.....	add \$120 each
• Smoove® 4 RTS Wall Switch.....	Part #1019538.....	add \$120 each
• Black Wall Switch Frame.....	Part #9015023.....	add \$24 each
• Silver Wall Switch Frame.....	Part #9015025.....	add \$24 each
• Tahoma Wi-Fi Interface and App.....	Part #1031856.....	add \$300 each
• Tahoma Ethernet Adaptor.....	Part #1031853.....	add \$40 each
<b>SOMFY POWER SOURCES</b>		
• 12v DC Power Supply.....	Part #1822445.....	add \$140 each
• Rechargeable Lithium-Ion Battery Pack.....	Part #1019535.....	add \$100 each
• Lithium-Ion Charger.....	Part #9025166.....	add \$30 each
• WireFree™ Li-ion Solar Panel Kit.....	Part #1026827.....	add \$160 each
• Reloadable Single Battery Wand (batteries not included)**.....	Part #RC445268.....	add \$36 each
• Reloadable Dual Battery Wand (batteries not included)**.....	Part #KITRDWR.....	add \$86 each
<b>SOMFY POWER ACCESSORIES</b>		
• 95" Charger Extension (Battery to Charger).....	Part #9021016.....	add \$12 each
• 10" Battery Pack Extension (Motor to Battery).....	Part #9018623.....	add \$12 each
• 48" Battery Pack Extension (Motor to Battery).....	Part #9016736.....	add \$12 each
• 96" Battery Pack Extension (Motor to Battery).....	Part #9018624.....	add \$18 each

Notes: \* Somfy power source options: Rechargeable Li-Ion Battery Pack and Transformer (plugs into standard wall outlet)  
 \*\* Batteries not included. Requires 8 AA Lithium-Ion batteries per wand.  
 When ordering multiple motorized shades/remotes, please provide programming instructions. Otherwise, all shades will be programmed to one remote.

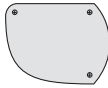
**SIMPLICITY RECHARGEABLE AND POWERWAND OPTIONS: EXTRA CHARGE – SPECIFY ON ORDER**  
 USE APPROPRIATE DUAL SHADE GRID FOR SHADE PRICE, THEN ADD EXTRA CHARGE(S) BELOW.

• Simplicity Rechargeable.....	Part #CS52150.....	add \$350 per motor
– 5 Channel Remote Control, White.....	Part #CS5138W.....	add \$36 each
– 5 Channel Remote Control, Black.....	Part #CS5138.....	add \$36 each
– 14 Channel Remote.....	Part #CS52137.....	add \$48 each
– Solar Panel.....	Part #1014614.....	add \$120 each
***Motor is only available on the right side for Simplicity Rechargeable		
• PowerWand.....	Part #CS52151.....	add \$100 per shade
– PowerWand Options (must be specified):		
1) Control Side (Left or Right) 2) Wand Color (Black or White) 3) Wand Length: 1 foot (12"), 2 feet (24"), 3 feet (36"), 4 feet (48"), 5 feet (60")		
• Plug-in Charger Kit (Can be used for both Simplicity Rechargeable and PowerWand).....	Part #CH-8.4V-1AN.....	add \$24 each
• Simplicity Smart Controller.....	Part #CS5196.....	add \$280 each

# PRODUCT SPECIFICATIONS

## Cassette Measurement

- 3-5/8" wide x 3" high



**Note:** The Li-Ion battery pack included with Bliss Sleek and the optional Li-Ion battery pack available with Somfy R28 and Sonesse 28 External Battery is approximately 10" in length and 1" x 1". Consider ordering one of the motor to battery extension wires for mounting flexibility.

## Mounting Requirements

### Inside Mount

- Minimum shallow mounting surface: 1-1/2"
- Minimum flush inside mounting including brackets for cassette: 3-3/4"

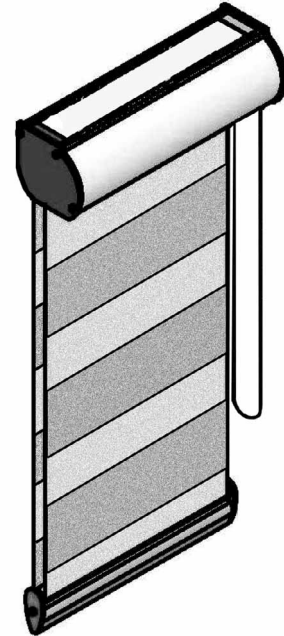
### Outside Mount

- Minimum outside mount surface: 1-1/2"

## Hardware Colors

Cassette available in white, vanilla, black, dark brown and anodized silver.

- A matching fabric insert in headrail is a standard feature
  - Please Note:** on certain fabrics with narrower bands, the fabric insert will feature both the solid fabric and the sheer.
- Fabric-wrapped bottomrail is a standard feature (non-wrapped bottomrail optional)
- Universal metal bracket will be supplied
- Cord loops and tensioners are color-coordinated



## Metal Bead Chain Option

- Metal Chain optional in the following colors: Black Nickel, Oil Rubbed Bronze, Antique Brass, Stainless Steel.
  - (Please note: when metal bead chain option is selected, the tensioner color will coordinate with the Cassette)

## Cord Loop, Metal Beaded Chain Lengths

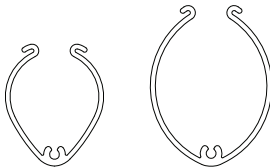
SHADE HEIGHT	LOOP DROP
24" - 39 7/8"	24" loop
40" - 59 7/8"	36" loop
60" - 83 7/8"	48" loop
84" - 107 7/8"	60" loop
108" - 120"	72" loop

12" Cord Loop (white only) and 12" Metal Bead Chain override option is available. Metal Bead Chain will be in color selected.

**Please Note:** Environmental conditions, such as heat, humidity, etc., may result in light bowing, puckering and dimpling of the fabric which is considered normal. Some fabrics may lightly fray which is considered normal and within specifications.

## AgileLift

- Effortless positioning of the shade with no tugging. Simply raise and lower the shade to the desired position.
- Standard Bottomrail - 1-1/4" tall
- Agile Lift Bottomrail - 1-3/5"



## Retractable Cord

- Cord length is 40% of the shade height

## Fabric Note

- As with all textiles, Dual Shade fabrics are subject to some variations. Slight wrinkles or waviness are inherent to textile products and should be considered normal, acceptable quality. Waviness can be more prevalent on wide width shades.

## Band Alignment

- Band alignment from the front to the back panel can appear different depending on the angle you are looking at the shade. Fabric and sheer bands are set in fabrication to align front-to-back in the closed position. Due to possible slight variances in band sizes, that are within industry standards, when in the open position bands could appear to not align perfectly from the front to the back panel.

## FINISHED DIMENSIONS

	Continuous Cord Loop	Retractable Cord	AgileLift	Bliss Automation		Somfy Automation		Simplicity Automation	PowerWand
				Bliss 1.1 Li-Ion	Bliss Sleek	Sonnesse 28 Li-Ion	Sonnesse 28 Ext Batt		
<b>INSIDE MOUNT</b>									
<b>Single Panel &amp; 2-on-1 Headrail</b>									
Cassette width (with endcaps)	minus 1/4"	minus 1/4"	minus 1/4"	minus 1/4"	minus 3/8"	minus 1/4"	minus 1/4"	minus 1/4"	minus 1/4"
Tube Width	minus 1-1/8"	minus 1-1/4"	minus 1"	minus 1-3/16"	minus 1-3/16"	minus 1-3/16"	minus 1-3/16"	minus 1-1/8"	minus 1-1/8"
Fabric width	minus 1-1/4"	minus 1-3/8"	minus 1-1/8"	minus 1-5/16"	minus 1-5/16"	minus 1-5/16"	minus 1-5/16"	minus 1-1/4"	minus 1-1/4"
Bottom rail (with endcaps)	minus 1"	minus 1-1/8"	minus 3/4"	minus 1-1/16"	minus 1-3/16"	minus 1-1/16"	minus 1-1/16"	minus 1"	minus 1"

**NOTES:** Deductions are taken from **Ordered Width**. Shade Height is **Ordered Height**

**NOTES:** **Simplicity Automation** and **PowerWand** are not available with 2-on-1 headrail

	Continuous Cord Loop	Retractable Cord	AgileLift	Bliss Automation		Somfy Automation		Simplicity Automation	PowerWand
				Bliss 1.1 Li-Ion	Bliss Sleek	Sonnesse 28 Li-Ion	Sonnesse 28 Ext Batt		
<b>OUTSIDE MOUNT</b>									
<b>Single Panel &amp; 2-on-1 Headrail</b>									
Cassette width (with endcaps)	ordered width	ordered width	ordered width	ordered width	minus 1/8"	ordered width	ordered width	ordered width	ordered width
Tube Width	minus 7/8"	minus 1"	minus 3/4"	minus 15/16"	minus 15/16"	minus 15/16"	minus 15/16"	minus 7/8"	minus 7/8"
Fabric width	minus 1"	minus 1-1/8"	minus 7/8"	minus 1-1/16"	minus 1-1/8"	minus 1-1/16"	minus 1-1/16"	minus 1"	minus 1"
Bottom rail outer width	minus 3/4"	minus 7/8"	minus 1/2"	minus 13/16"	minus 15/16"	minus 13/16"	minus 13/16"	minus 3/4"	minus 3/4"

**NOTES:** Deductions are taken from **Ordered Width**. Shade Height is **Ordered Height**

**NOTES:** **Simplicity Automation** and **PowerWand** are not available with 2-on-1 headrail

## MINIMUM WIDTHS & HEIGHTS

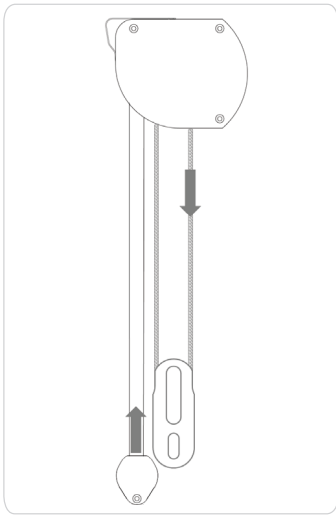
		Continuous Cord Loop	Retractable Cord	AgileLift	Bliss Automation		Somfy Automation		Simplicity Automation	PowerWand
					Bliss 1.1 Li-Ion	Bliss Sleek	Sonnesse 28 Li-Ion	Sonnesse 28 Ext Batt		
Minimum Width (NET)	Single Panel / Per Panel 2-on-1	15"	15"	18"	21.5"	16"	24"	16"	19"	21"
	<b>Overall 2-on-1</b>	30"	30"	36"	43"	32"	48"	32"	n/a	n/a
Minimum Height		24"	20"	20"	20"	20"	20"	20"	20"	20"

---

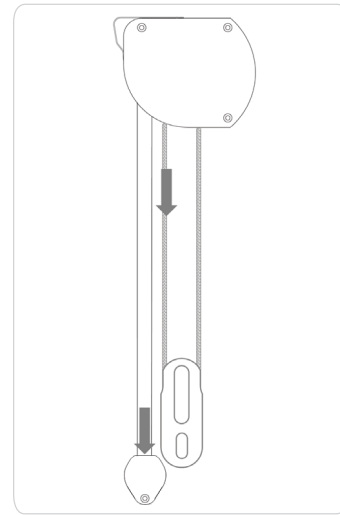
## STANDARD DUAL SHADES OPERATION

---

**CAUTION:** Make sure there are no obstacles or anything resting on the Dual Shade fabric during the operation. Contact of the screen with objects may cause lateral shifting.



Pull the front of the cord loop to raise the shade.



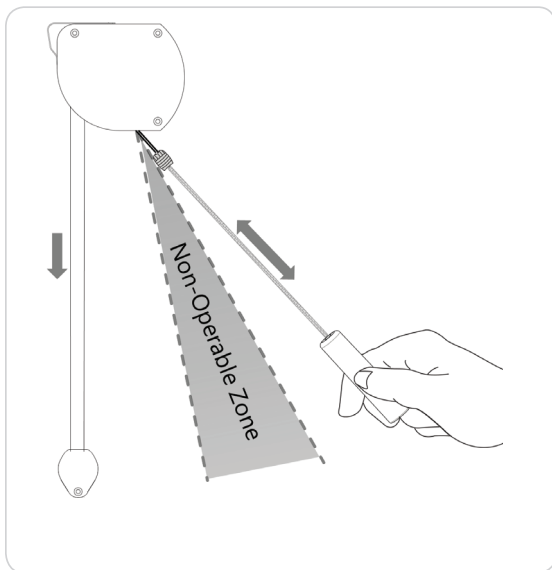
Pull the back of the cord loop to lower the shade.

---

## RETRACTABLE CORD DUAL SHADES OPERATION

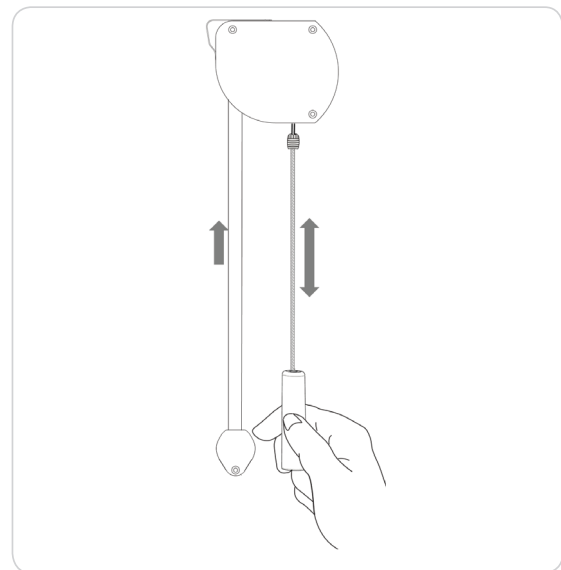
---

**CAUTION:** To avoid damage to the shade or personal injury, do not use excessive force or long strokes when pulling the cord. Also, do not release the cord until it is fully retracted.



### To Lower the Shade and Transition the Band Position

- Hold the cord toward you and away from the shade.
- Pull the cord using short, even strokes.  
Allow the cord to retract after each stroke. Continue until the shade is at the desired height or the bands are aligned at the desired position.



### To Raise the Shade and Transition the Band Position

- Hold the cord close to the shade.
- Pull straight down using short, even strokes. Allow the cord to retract after each stroke. Continue until shade is at the desired height or the bands are aligned at the desired position.

**IMPORTANT:** Avoid pulling the cord in the non-operable zone shown in the illustration.